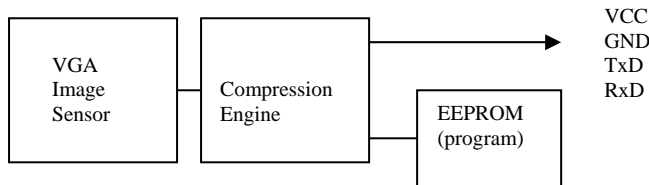


### General Description

The C1098 JPEG compression module performs as a video camera or a JPEG compressed still camera and can be attached to a wireless or PDA host. Users can send out a snapshot command from the host in order to capture a full resolution single-frame still picture. The picture is then compressed by the JPEG engine and transferred to the host.

### Block Diagram

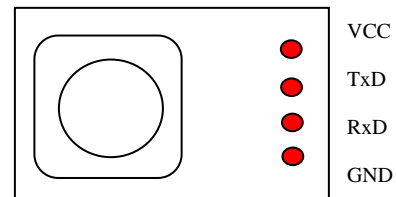


### Features

- Small in size, 20x28mm
- VGA resolution, down sample to QVGA
- Low power consumption, 3.3V operation
- UART interface support up to 460.8Kbps
- Built-in JPEG CODEC
- Built in lens, optional
- User friendly command

### Pin Description

Pin	Description
VCC	Power 3.3VDC
TxD	Data Transmit (3.3V)
RxD	Data Receive (3.3V)
GND	Power Ground



### Command Summary

Command	Function
INITIAL	Configure interface speed ,image size
GET PICTURE	Get image from the module
SNAPSHOT	Capture a still image
SET PACKAGE SIZE	Set the package size to transmit data from module to Host
RESET	Reset the whole system
DATA LENGTH	Provide the data length information.
SYNC	Start a synchronization sequence
ACK	Indicate the communication success
NACK	Indicate the communication fail with error code

### Electrical Specification

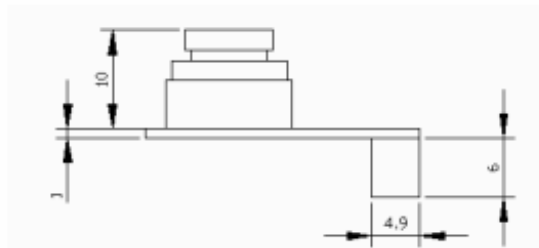
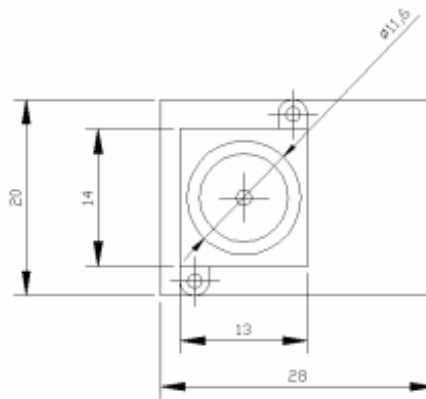
V<sub>DD</sub> = 3.3V±10%, TA = 0 to 25°C

Symbol	Parameter	Condition	Min	Typ	Max	Unit
VDD	DC supply voltage		3.0	3.3	3.6	V
I <sub>o</sub>	Operation Current	Operating		60		mA
V <sub>IH</sub>	High level input voltage	TTL	2.0			V
V <sub>L</sub>	Low level input voltage	TTL			0.8	V

### Lens Specification

Description	Parameter
Imager Format	1/4"
F/#	2.8
Focal length (mm)	4.63
Field of View Diagonal (deg)	55
Distortion	-3.3%
Relative Illumination	67%
Filter Option IR-cut filter	included

### Board Measurement



Rev 1  
Updated: Mar 18, 2010